

HP Compaq Business Desktop dc5000 series personal computer

illustrated parts map
small form factor



© 2004 Hewlett-Packard Development Company, L.P.

HP and the HP logo are trademarks of Hewlett-Packard Development Company, L.P.

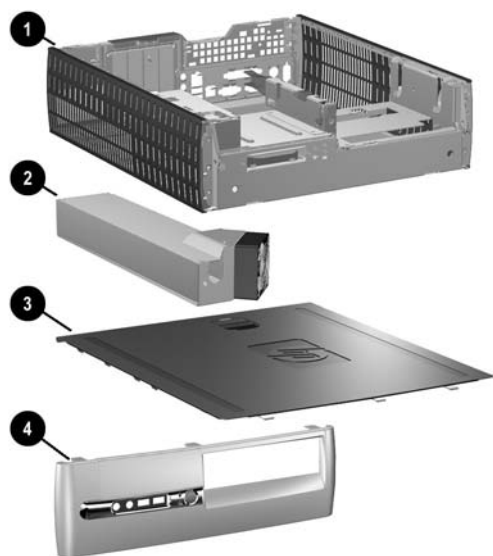
All other product names mentioned herein may be trademarks of their respective companies.

HP shall not be liable for technical or editorial errors or omissions contained herein. The information in this document is provided "as is" without warranty of any kind and is subject to change without notice. The warranties for HP products are set forth in the express limited warranty statements accompanying such products. **Nothing herein should be construed as constituting an additional warranty.**

Product of the United States.

4th Edition, November 2005

Document Number
360204-004



System Unit

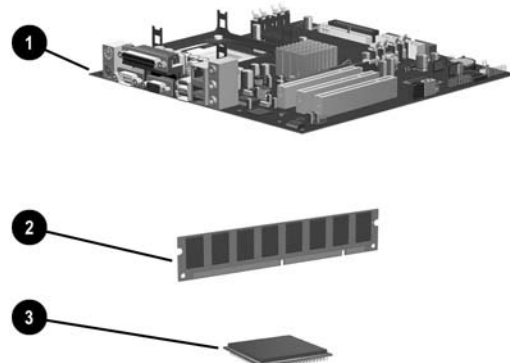
1	Chassis assembly	not spared
2	Power supply, PFC	308617-001
3	Computer access panel	337238-001
*	Front bezel assembly with diskette drive bezel	337241-001
4	Front bezel assembly with diskette drive bezel blank (as illustrated)	364345-001

Standard Keyboards (not illustrated)

PS/2	355630-xxx		
USB	355631-xxx		
French Canadian	-121	U.S.	-001
LA Spanish	-161		

Mass Storage Devices (not illustrated)

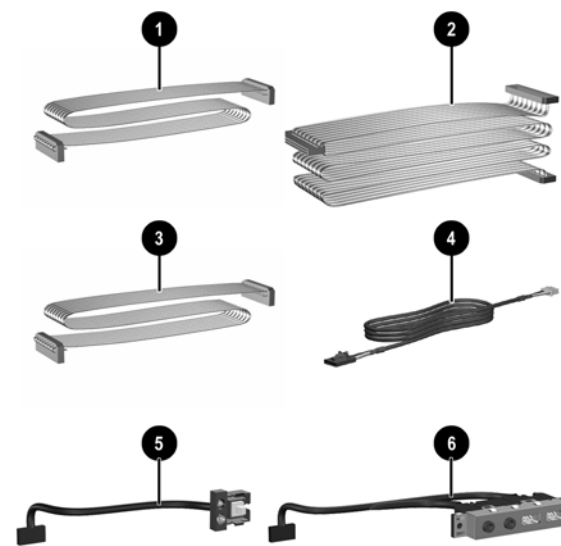
40 GB/7200 RPM Hard drive	286692-001
80 GB/7200 RPM Hard drive	250185-001
160 GB/7200 RPM Hard drive	325306-001
Diskette drive with mounting screws	333505-001
48X CD-ROM drive with mounting screws	326773-001
48X/32X/48X CD-RW	346788-001
48X/24X/48X +16X DVD/CD-RW	359493-001
8X DVD+R/RW	358688-001
16/40X DVD ROM Drive	325313-001
Zip 250 Drive with mounting bracket	333504-001
Zip 250 drive without mounting bracket	326772-001



Standard and Optional Boards

1	System board with alcohol pad and thermal grease	360427-001
Memory Modules		
2	128 MB/400 MHz FSB	335697-001
*	256 MB/400 MHz FSB	335698-001
*	512 MB/400 MHz FSB	335699-001
*	1.0 GB/400 MHz FSB	335700-001
*	128 MB/333 MHz FSB	314795-001
*	256 MB/333 MHz FSB	314793-001
*	512 MB/333 MHz FSB	314796-001
*	1.0 GB/333 MHz FSB	314794-001
Intel Processors with alcohol pad and thermal grease		
3	Celeron 2.6 GHz/128 K cache/400 MHz FSB	344057-001
*	Celeron 2.8 GHz/128 K cache/400 MHz FSB	355399-001
*	Pentium 2.8 GHz/512 K cache/533 MHz FSB	305051-001
*	Pentium 3.06 GHz/512 K cache/533 MHz FSB	315637-001
*	Pentium 2.8 GHz/1 MB cache/533 MHz FSB	359573-001
*	Pentium 2.8 GHz/1 MB cache/800 MHz FSB	348617-001
*	Pentium 3.0 GHz/1MB cache/800 MHz FSB	359574-001
*	Pentium 3.2 GHz/1 MB cache/800 MHz FSB	364837-001
Other Cards		
*	Lucent V92, 56k modem with low profile bkt	277918-001

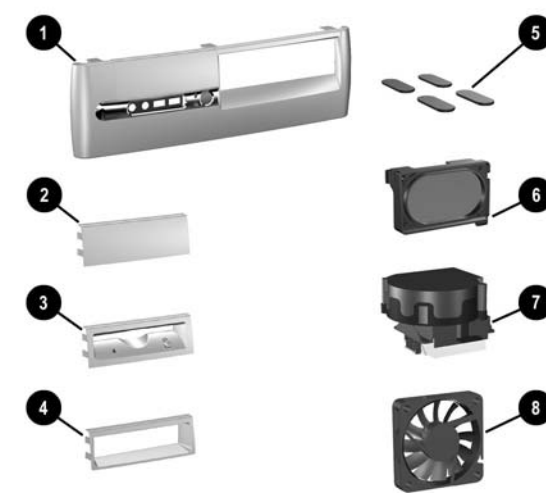
*Not shown



Cables

1	Diskette drive cable (168999-005)	337244-001
2	UATA data cable, 13.5" (108950-045)	337247-001
3	UATA data cable, 8.6" (108950-044)	337246-001
4	Audio cable (CD to system board) (387527-001)	149806-001
5	Power switch/LED cable with switch holder	337243-001
6	Front I/O device with cable	337242-001
*	Flying serial cable	341899-001

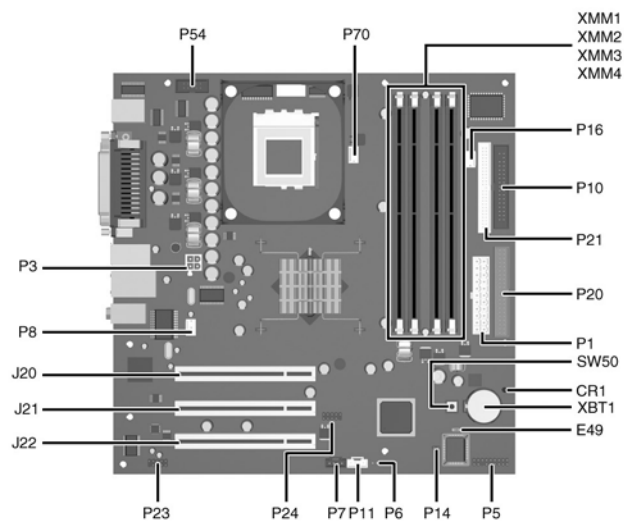
*Not shown



Miscellaneous Parts

1	Front bezel assembly with diskette drive bezel blank	364345-001
2	Diskette drive bay bezel blank	337019-001
3	Diskette drive bezel	364508-001
4	3.5" Drive bay bezel for Zip drive	337021-001
5	Rubber foot (4 ea)	337545-001
6	Speaker with housing	337249-001
7	Heatsink with thermal grease and alcohol pad	360327-001
8	Chassis fan	342685-001
*	Mouse, 2-Button, PS/2 with scroll wheel	323614-001
*	Mouse, 2-Button, USB, optical with scroll wheel	323617-001
*	Mouse, 2-Button, USB, with scroll wheel	323615-001
*	Misc screw kit, includes:	337237-001
*	M3 x 5mm, hitop (263585-001) 4 ea	
*	#6-32 x .250, hitop (262508-001) 8 ea	
*	#6-32 x .250, pan head (101517-037) 3 ea	
*	#6-32 x .312, hitop (262508-002) 4 ea	
*	#6-19 x .312, pan head (101346-068) 2 ea	
*	#6-19 x .315, T15 head (331310-001) 2 ea	
*	Drive Key, 128 MB	349988-001
*	Return kit with buns	337911-001
*	Real-time-clock battery	153099-001

*Not shown



System Board Connectors and Jumpers (position of some untitled components may vary in location)

CR1	5V_Aux LED	P16	Power supply fan control
E49	Password jumper	P20	Primary IDE
J20	PCI slot 1	P21	Secondary IDE
J21	PCI slot 2	P23	Front panel audio connector
J22	PCI slot 3	P24	Front panel USB connector
P1	Main power (20 pin)	P54	Serial Port "B"
P3	CPU regulator power (4 pin)	P70	CPU fan
P5	Front panel	SW50	CMOS button
P6	Internal chassis speaker	XBT1	Battery
P7	CD audio in	XMM1	Memory socket
P8	Chassis fan	XMM2	Memory socket
P10	Diskette drive	XMM3	Memory socket
P11	Aux audio in	XMM4	Memory socket
P14	Boot block		

System Hardware Interrupts

IRQ	System Function	IRQ	System Function
0	Timer Interrupt	8	Real-Time Clock
1	Keyboard	9	Unused
2	Interrupt Controller Cascade	10	Unused, available for PCI
3	Serial Port (COM B)	11	Unused, available for PCI
4	Serial Port (COM A)	12	Mouse
5	Unused, available for PCI	13	Coprocessor
6	Diskette Drive	14	Primary ATA (IDE) Controller
7	Parallel Port (LPT 1)	15	Secondary ATA (IDE) Controller

Computer Diagnostic LEDs (on front of computer)

LED	Color	LED Activity	State/Message
Power	Green	On	(S0) Computer on
Power	Green	1 blink every 2 seconds	(S1) Suspend Mode
Power	Green	1 blink every 2 seconds	(S3) Suspend to RAM
Power	Green	Off	(S4) Suspend to Disk (if applicable)
Power	Clear	Off	(S5) Computer off
Power	Red	1 blink followed by 2-second pause - Repeat	Power Supply failure
Power	Red*	2 blinks 1 second apart	CPU thermal shutdown
Power	Red*	3 blinks 1 second apart	CPU not installed
Power	Red*	4 blinks 1 second apart	Power supply overload (crow bar)
Power	Red*	5 blinks 1 second apart	No memory
Power	Red*	6 blinks 1 second apart	No graphics
Power	Red*	7 blinks 1 second apart	System board failure (detected prior to video)
Power	Red*	8 blinks 1 second apart	Invalid ROM
Hard Drive	Green	Blinking	Hard drive activity

*Blinking codes are repeated after a 2 second pause.

Keyboard Diagnostic LEDs, PS/2 Keyboards Only

LED	Color	LED Activity	State/Message
Num, Caps, Scroll Lock	Green	On (Rising Tone)	ROM reflashed successfully
Num Lock	Green	On	ROMPaq diskette not present, is bad, or drive not ready.*
Caps Lock	Green	On	Enter password.
Num, Caps, Scroll Lock	Green	Blink On in sequence, one at a time - N, C, SL	Keyboard locked in network mode

* Insert valid ROMPaq diskette in drive A. Turn power switch off, then on to reflash ROM. If ROM flash is successful, all three keyboard LEDs will light up, and you will hear a rising tone series of beeps. Remove diskette and turn power off, then on to restart the computer. For more information about flashing the ROM, refer to the Troubleshooting guide.

Clearing CMOS

The computer's configuration (CMOS) may occasionally be corrupted. If it is, it is necessary to clear the CMOS memory using switch SW50.

To clear and reset the configuration, perform the following procedure:

1. Prepare the computer for disassembly.

CAUTION: The power cord must be disconnected from the power source before pushing the Clear CMOS Button (NOTE: All LEDs on the board should be OFF). Failure to do so may damage the system board

2. Remove the access panel.
3. Press the CMOS button located on the system board and keep it depressed for 5 seconds.
4. Replace the access panel.
5. Turn the computer on and run F10 Computer Setup (Setup-utility) to reconfigure the system.

Disabling or Clearing the Power-On and Setup Passwords

1. Turn off the computer and any external devices, and disconnect the power cord from the power outlet.
2. Remove the access panel.
3. Locate the header and jumper labeled E49.
4. Remove the jumper from pins 1 and 2. Place the jumper over pin 2 only, in order to avoid losing it.
5. Replace the access panel.
6. Plug in the computer and turn on power. Allow the operating system to start.
NOTE: Placing the jumper on pin 2 clears the current passwords and disables the password features.
7. To re-enable the password features, repeat steps 1-3, then replace the jumper on pins 1 and 2.
8. Repeat steps 5-6, then establish new passwords.

Refer to the Computer Setup (F10 Setup) instructions to establish new passwords.

Computer Setup (F10) Utility Features (not all features may be available)

File	System Information About Set Time and date	Save to Diskette Restore From Diskette Set defaults and Exit	Ignore Changes and Exit Save Changes and Exit
Storage	Device Configuration Options	IDE DPS Self-Test Controller Order	Boot Order
Security	Setup Password Power-On Password Password Options DriveLock	Master Boot Record Security Save Master Boot Record Restore Master Boot Record Device Security	Network Service Boot System IDs
Advanced	Power-On Options Onboard devices	PCI Devices Bus Options	Device Options PCI VGA Configuration

Note: For more information see Computer Setup (F10) Utility Guide on the Documentation Library CD.

Heat Sink Removal

